

# RUDDERS & DAGGERBOARDS ORIGINAL DESIGN

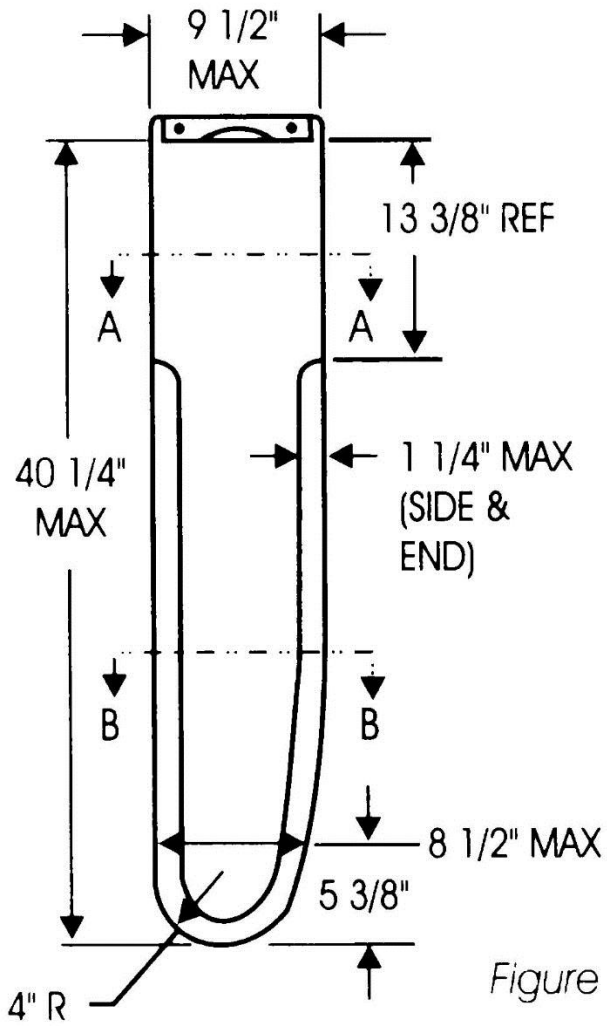


Figure 1

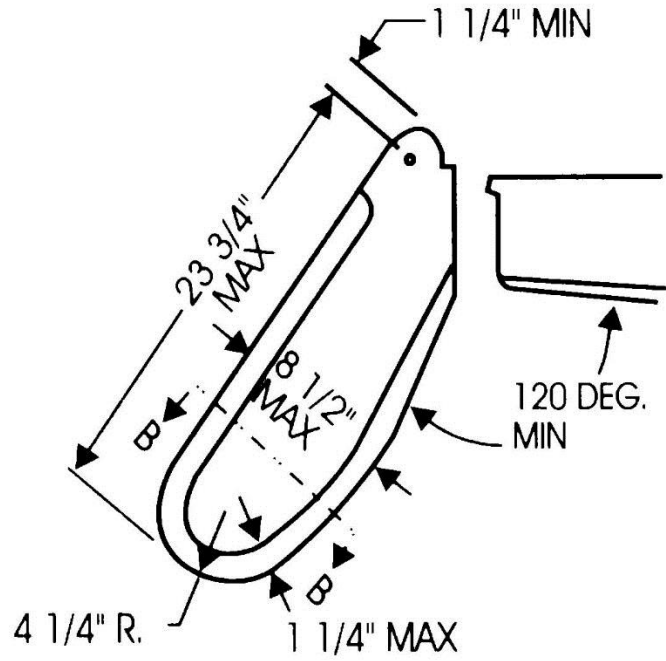
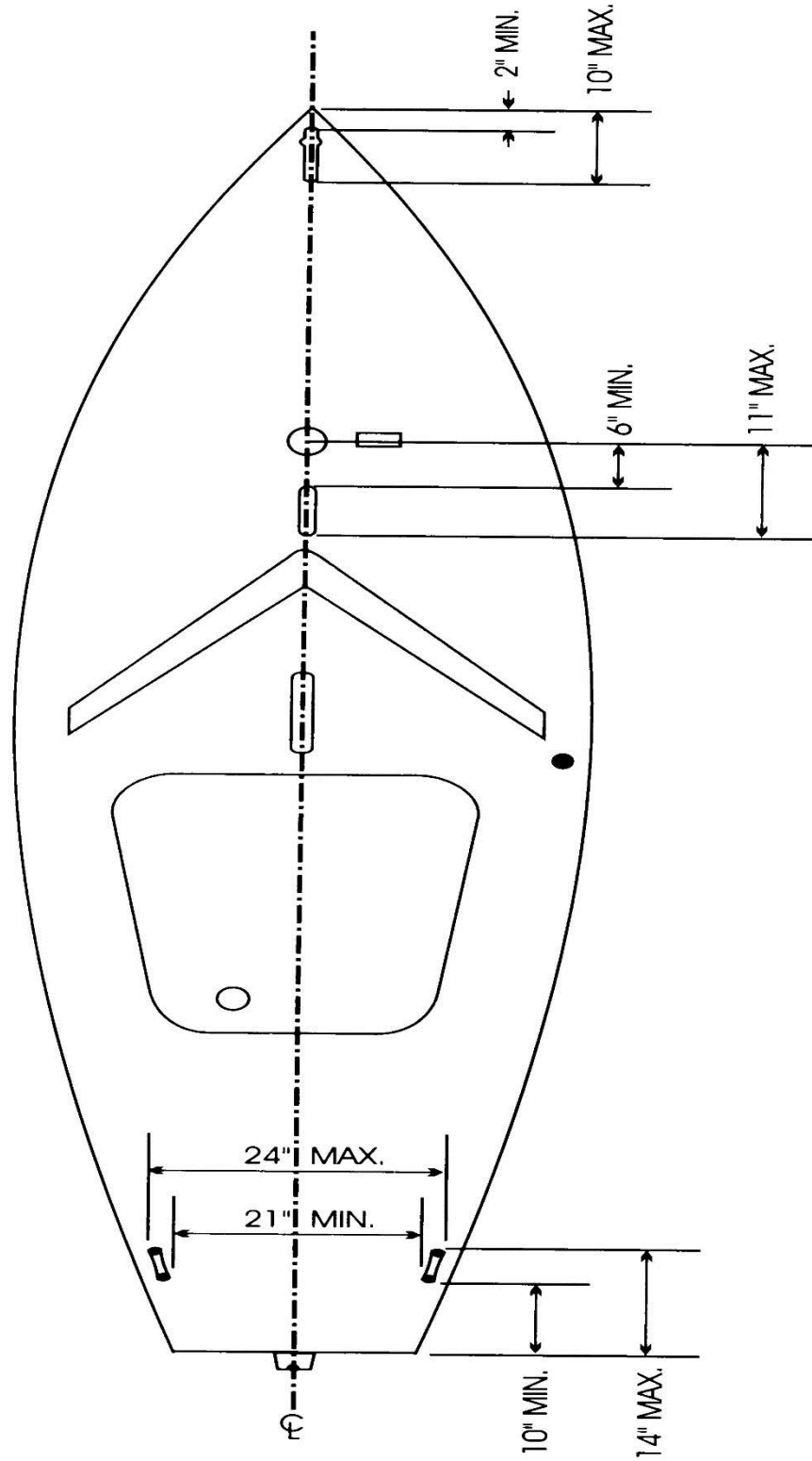
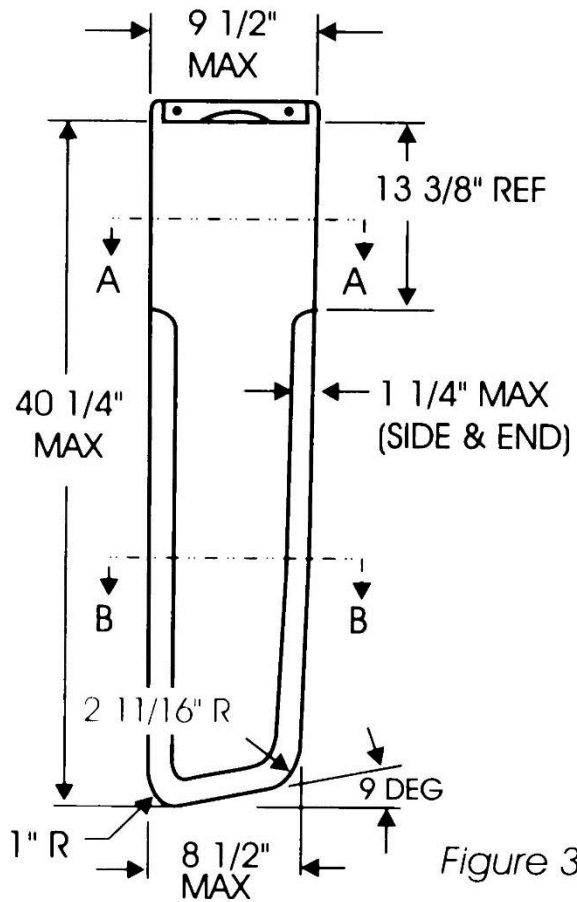


Figure 2

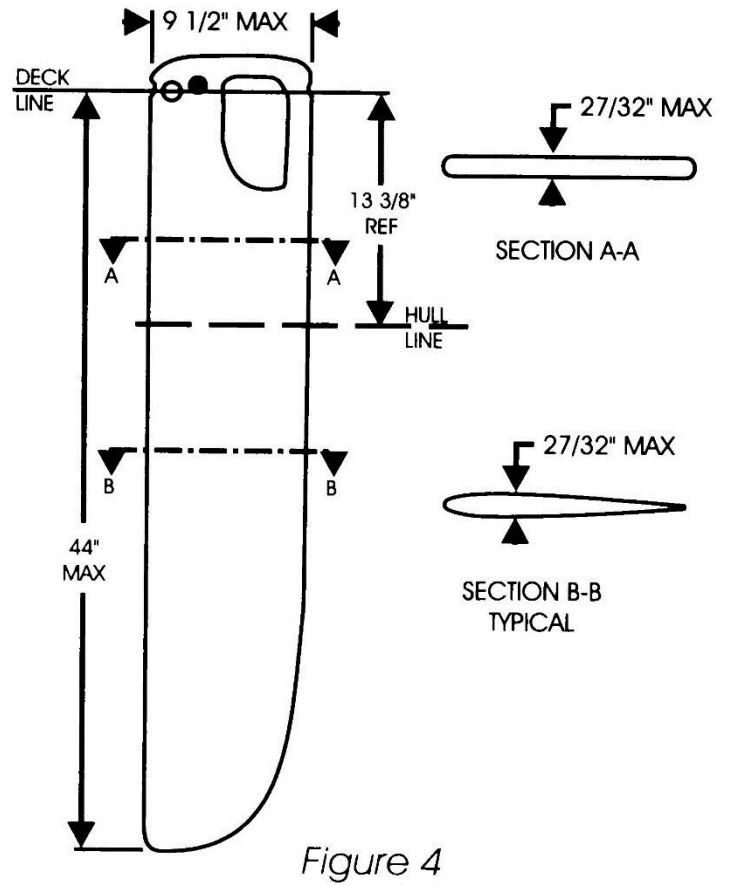
# HARDWARE LOCATIONS



# DAGGERBOARDS

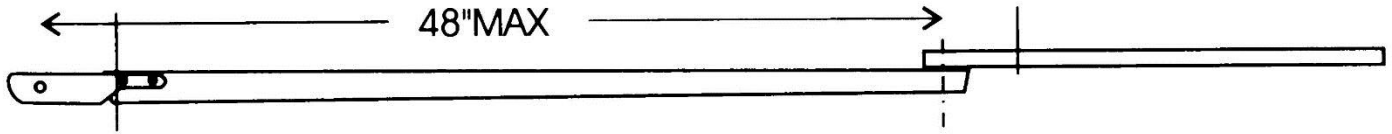


Daggerboard c. 1980



Daggerboard c. 1993

# Tiller and Tiller Extension



## Rudder

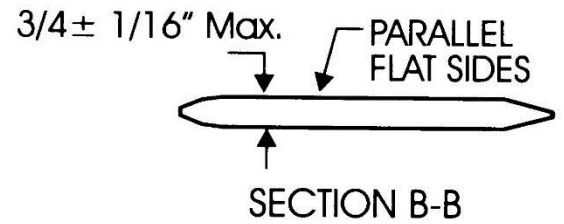
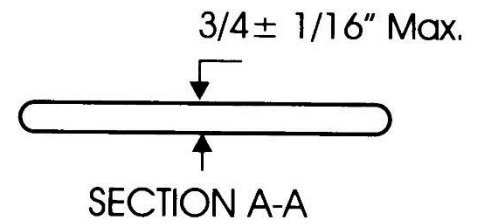
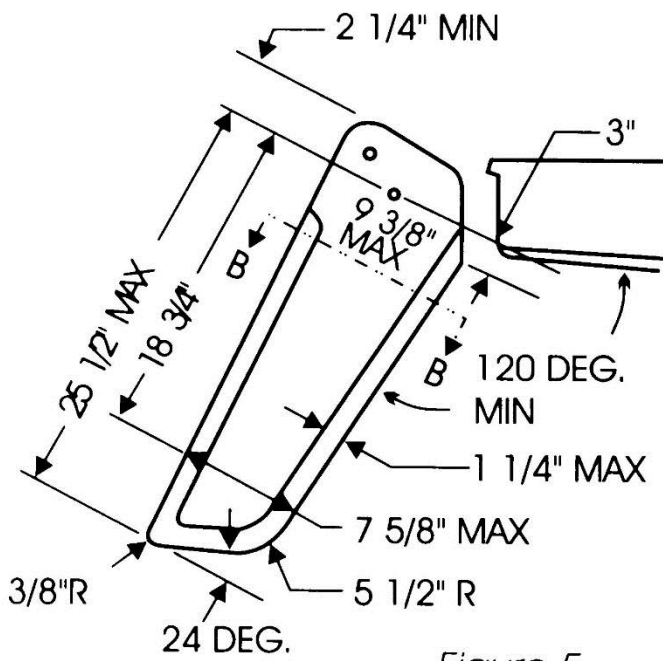
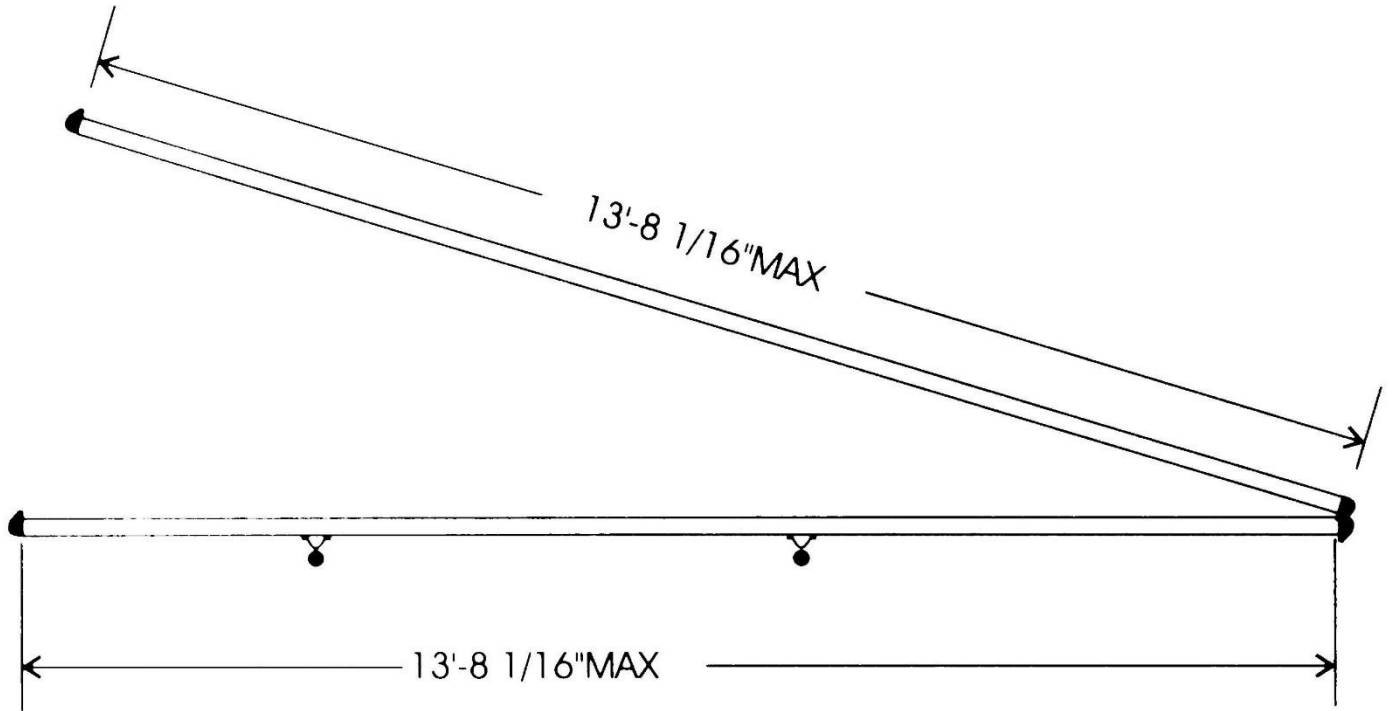


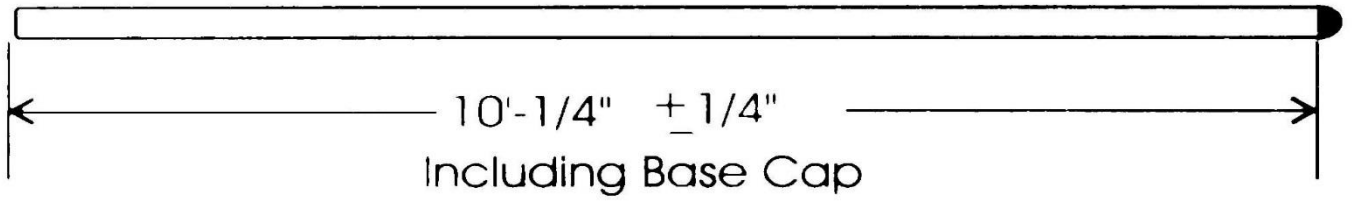
Figure 5

Rudder c. 1971

# SPARS



# MAST



# SUNFISH SAIL

